



## P300-AB

### Vertical Axis Wind Turbine (VAWT)

Suitable for any Application; Urban to Rural, Residential to Commercial, Industrial to Institutional

#### Performance

|                     |       |
|---------------------|-------|
| Rated Power         | 300W  |
| Max Power           | 360W  |
| Rated Wind Speed    | 10m/s |
| Cut-In Speed        | 3m/s  |
| Cut-Out Speed       | 25m/s |
| Survival Wind Speed | 50m/s |

#### Physical Parameters

|                       |              |
|-----------------------|--------------|
| Blade Quantity        | 4            |
| Mill Diameter         | 1.36m        |
| Mill Height           | 1.4m         |
| Mill Weight           | 80kg         |
| Tower Height & Weight | 5.5m (200kg) |

#### Generator Parameters

|                  |             |
|------------------|-------------|
| Type             | PMG 3 Phase |
| Rated Voltage    | AC 41V      |
| Rated Current    | AC 4.2A     |
| Protection Level | IP54        |

#### Controller Output

|                          |            |
|--------------------------|------------|
| Output Voltage(Off-grid) | DC 12V/24V |
|--------------------------|------------|

#### Over Speed Protection & Braking System

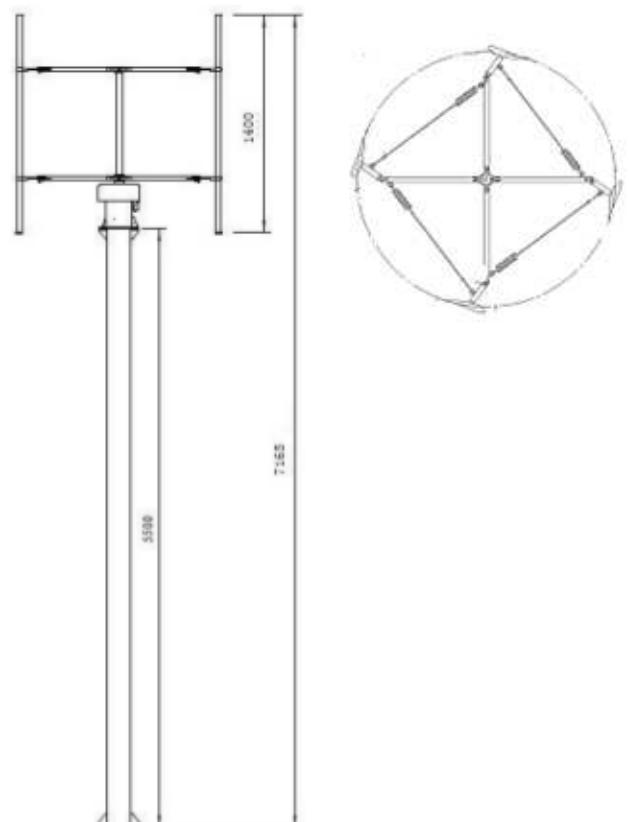
|                     |                        |
|---------------------|------------------------|
| Speed Control Style | Pitch Control System   |
| Brake Style         | Automatic Magnet Brake |

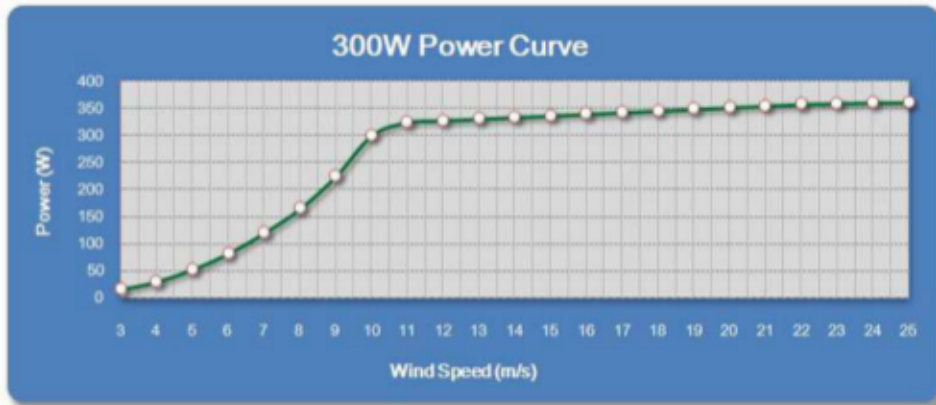
#### Advantages of VAWT

- Nearly Quiet
- Birds Friendly
- More Safety Features
- Wonderful Performance at Low Wind Speed
- Captures Wind from All Directions
- Longer Working Life
- Less Maintenance
- Less Requirements on Foundation
- Lower Supporting Tower

#### Advantages over Other VAWT

- High Efficiency
- Pitch Control to Govern Speed
- Automatic Magnet Brake





### Annual Energy Production

| Average Wind Speed (m/s) | 2  | 3   | 4   | 5   | 6   | 7    | 8    | 9    | 10   |
|--------------------------|----|-----|-----|-----|-----|------|------|------|------|
| Production (KWH)         | 70 | 175 | 380 | 651 | 946 | 1228 | 1480 | 1692 | 1862 |

### Packing Size

| Mark     | Name               | Volume          | Gross(KG) | Net(KG) | Package     |
|----------|--------------------|-----------------|-----------|---------|-------------|
| P300-S   | Arms               | 80cm*25cm*15cm  | 22        | 20      | Paper Box   |
| P300-FRM | Generator Assembly | 100cm*49cm*49cm | 50        | 45      | Steel Frame |
| P300-B   | Blades             | 145cm*26cm*20cm | 17        | 15      | Paper Box   |

0.38 Cubic meter, Gross weight 89 Kgs, Net weight 80 Kgs

A 20ft container can hold 80 units (excluding the tower)

A 40ft container can hold 160 units (excluding the tower)



P300-FRM

### Application

